



CAVALLI

MSF SERIES MAGNETIC DRIVE PUMP

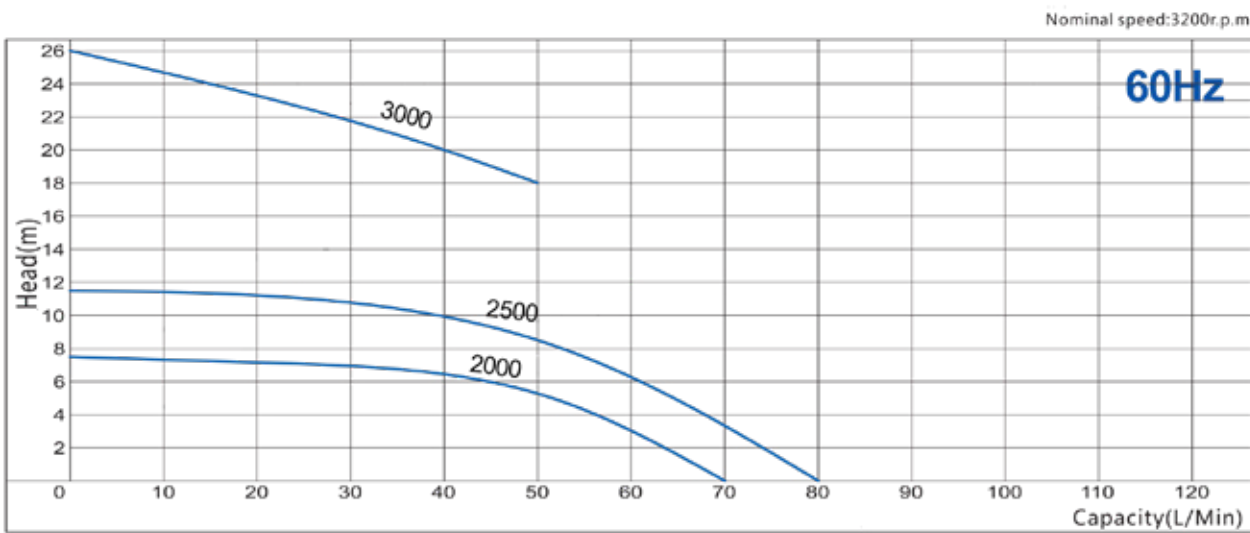
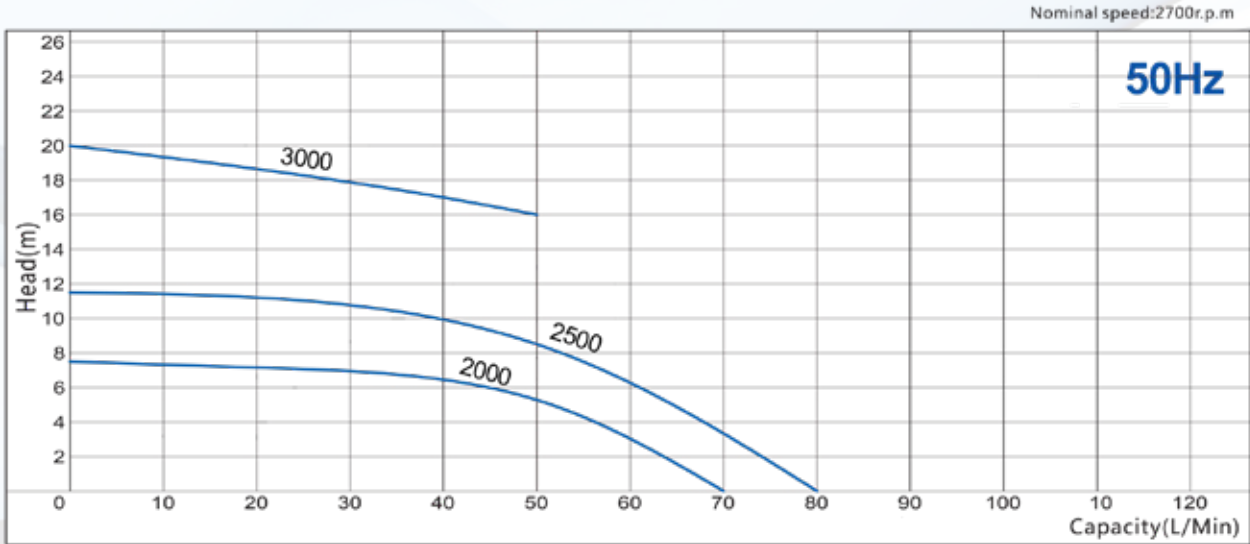
FEATURES

- Standard model
- The motor is of solid TEFC construction and is painted with 2-parts epoxy paint
- Ceramic bearing and ceramic spindle as standard spareparts for longer life span
- Standard connections available in hose, threads or union type

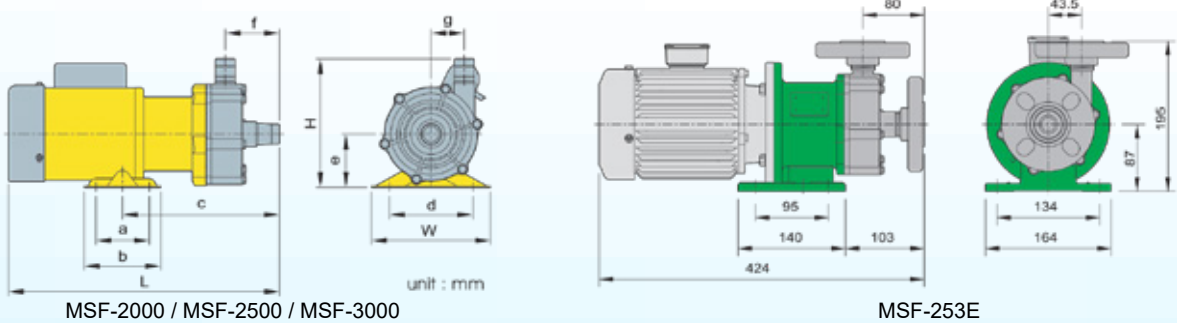
| | | | | | | | | | |
|---------------|-----------------|---|--|---|---------------------|---|---|----------------------|--|
| MS | F | - | 00 00 | X | X | - | X | 0 | 0 |
| Series | Material | | Model | Bearing | O-Ring | | Connection | Frequency | Density |
| | F - ETPE | | 20 10 - Single phase 20 00 - Three phase 25 10 - Single phase 25 00 - Three phase 25 3E - JEM 30 10 - Single phase 30 00 - Three phase | C - Carbon R - Rulon A - Ceramic S - SIC I - SSIC | E - EDPM V - FKM | | H - Hose T - Threaded U - Union J - JIS10K | 5 - 50Hz 6 - 60Hz | 0 - 1.0 1 - 1.1 3 - 1.3 5 - 1.5 7 - 1.7 9 - 1.9 |

| MODEL | CONNECTION | | | RATED CAPACITY (L/min) | | RATED HEAD (m) | | MOTOR OUTPUT (W) |
|----------|------------|------------|------------|------------------------|------|----------------|------|------------------|
| | HOSE (mm) | THREAD (") | FLANGE (A) | 50Hz | 60Hz | 50Hz | 60Hz | |
| MSF-2000 | 26 x 26 | 1 x 1 | 25 x 25 | 50 | 70 | 6.5 | 7.5 | 150 |
| MSF-2500 | 26 x 26 | 1 x 1 | 25 x 25 | 50 | 80 | 9.0 | 9.0 | 250 |
| MSF-253E | 26 x 26 | 1 x 1 | 25 x 25 | 65 | 80 | 9.0 | 9.0 | JEM-0.25kW |
| MSF-3000 | 26 x 20 | 1 x 3/4 | - | 50 | 50 | 16 | 21 | 330 |

PERFORMANCE CURVES



DRAWING & DIMENSIONS



Dimensions in mm

| MODEL | W | H | L | a | b | c | d | e | g | f |
|----------|-----|-----|-----|----|-----|-----|-----|----|------|------|
| MSF-2000 | 156 | 165 | 355 | 70 | 100 | 205 | 110 | 66 | 70 | 43.5 |
| MSF-2500 | 156 | 165 | 365 | 70 | 100 | 195 | 110 | 66 | 70 | 43.5 |
| MSF-253E | 164 | 195 | 424 | 95 | 140 | ?? | 134 | 87 | 43.5 | 80 |
| MSF-3000 | 160 | 175 | 385 | 50 | 110 | 181 | 110 | 75 | 55 | 47.5 |